

46. MMS

MMS 6

50/60 Hz, 5.5 - 37 kW

Bearing

Pos.	Kit No	Description	96880698
204		Radial bearing	2

Lower bearing housing

Pos.	Description	Standard version	N version	R version
	Kit No	96880705	96880706	96880707
236	Lower bearing housing	1	1	1
204	Radial bearing	1	1	1

Seal kit

Pos.	Kit No	Description	96880714
232		Sand shield	1
222b		O-ring FKM	11 x 2.0
231		O-ring NBR	50.5 x 1.8
234		Gasket for pos. 235	1
224b		O-ring NBR	120 x 2.5
224a		O-ring NBR	131 x 3
222c		Seal washer	17 x 21
250a		Cable grommet Pt100	4 x (1 x 6 mm ²)
		Cable grommet Pt100	4 x (1 x 10 mm ²)
		Cable grommet Pt100	4 x (1 x 16 mm ²)
212		Diaphragm	1

Screw for bearing housing

Pos.	Description	Standard version	N version	R version
	Kit No	96880711	96880712	96880713
250d	Screw for Pt100	2	2	2
248	Hexagon socket head cap screw	M8 x 10	2	2
248	Hexagon socket head cap screw	M8 x 25	4	4
237	Special NEMA stud	M12 x 50	4	4
238a	Hexagon nut	M12	4	4
238	Washer	13 x 24	4	4

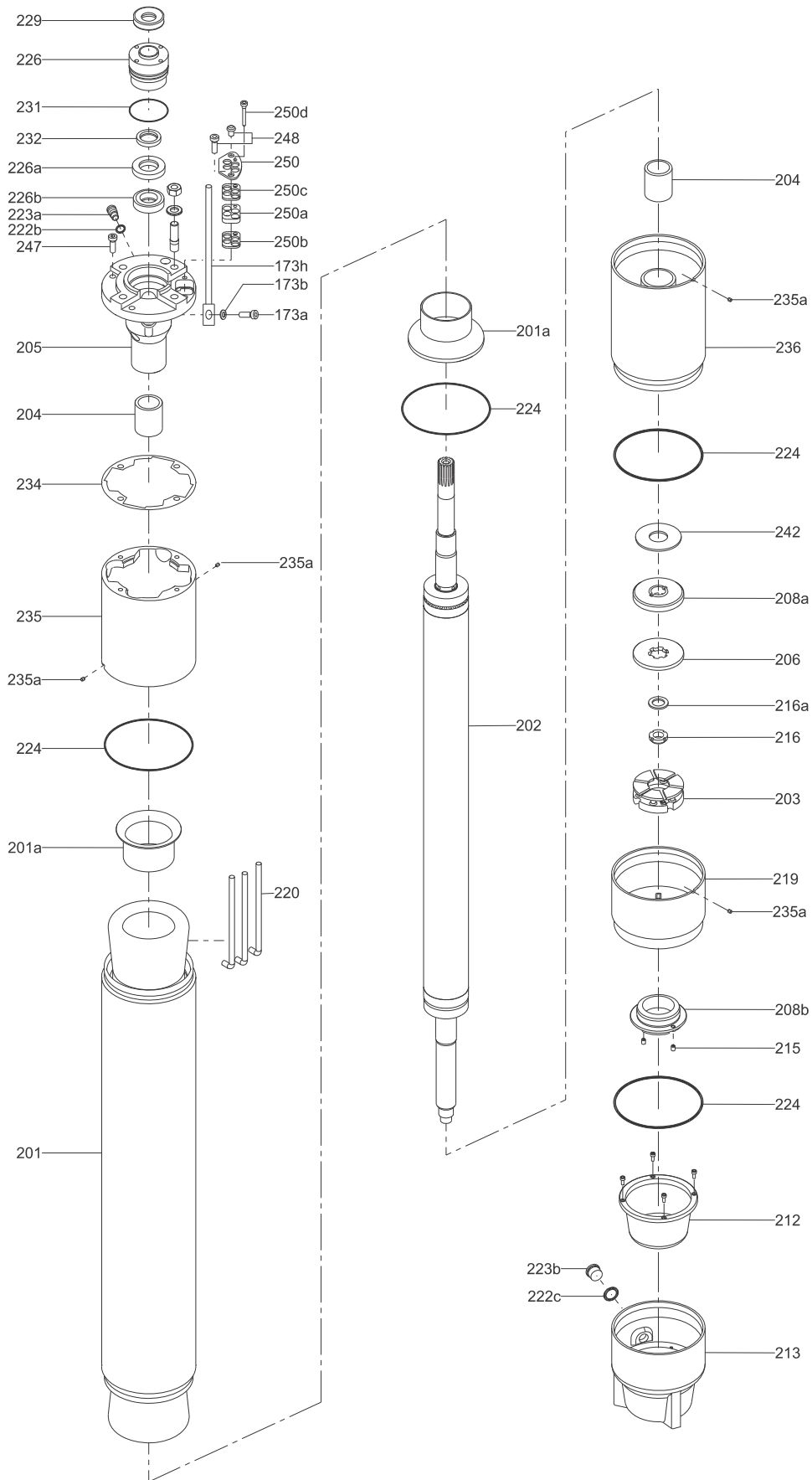
Thrust bearing

Pos.	Kit No	Description	96880708
203		Thrust bearing, stationary	1
206		Thrust ring, rotating	1
208b		Thrust bearing support	1
208a		Thrust ring support	1
215		Set screw	M6 x 8
216		Ring nut	M17
216a		Washer	19 x 30 x 2.5
242		Upthrust spacer	1

Upper bearing housing

Pos.	Description	Standard version		N version		R version	
		DOL	SD	DOL	SD	DOL	SD
	Kit No	96880699	96880700	96880701	96880702	96880703	96880704
205	NEMA flange	1	1	1	1	1	1
204	Radial bearing	1	1	1	1	1	1

MMS 6



TMO 4 5193 3904

Shaft seal

Pos.	Description Kit No		Ceramic/carbon		SiC/SiC	
			96880709		96880710	
232	Lip seal FKM	25 x 37 x 7	1		1	
226a	Stationary part	50 x 25	1		1	
226b	Rotating part		1		1	
231	O-ring NBR	50.5 x 1.8	1		1	

Valve

Pos.	Description Kit No		Standard version		N version		R version	
			96880715		96880716		96880717	
223a	Valve		1		1		1	
222c	Seal washer	17 x 21	1		1		1	
223b	Plug		1		1		1	

Windings, PVC

kW	50 Hz					60 Hz			
	220-230 V	400 V	415 V	460 V	500 V	220 V	380 V	460 V	575 V
5.5	96881166	96881124	-	-	-	96881152	96881138	96881124	-
7.5	96881167	96881125	-	96881185	-	96881153	96881139	96881125	-
9.2	96881168	96881126	-	96881186	-	96881154	96881140	96881126	-
11	96881169	96881127	-	96881187	-	96881155	96881141	96881127	-
13	96881170	96881128	-	96881188	-	96881156	96881142	96881128	-
15	96881171	96881129	-	96881189	-	96881157	96881143	96881129	-
18.5	96881172	96881130	-	96881190	-	96881158	96881144	96881130	-
22	96880744	96880718	-	96880760	-	96880736	96880728	96880718	-
26	96880745	96880719	-	96880761	-	96880737	96880729	96880719	-
30	96880746	96880720	-	96880762	-	96880738	96880730	96880720	-
37	96880747	96880721	-	96880763	-	96880739	96880731	96880721	-

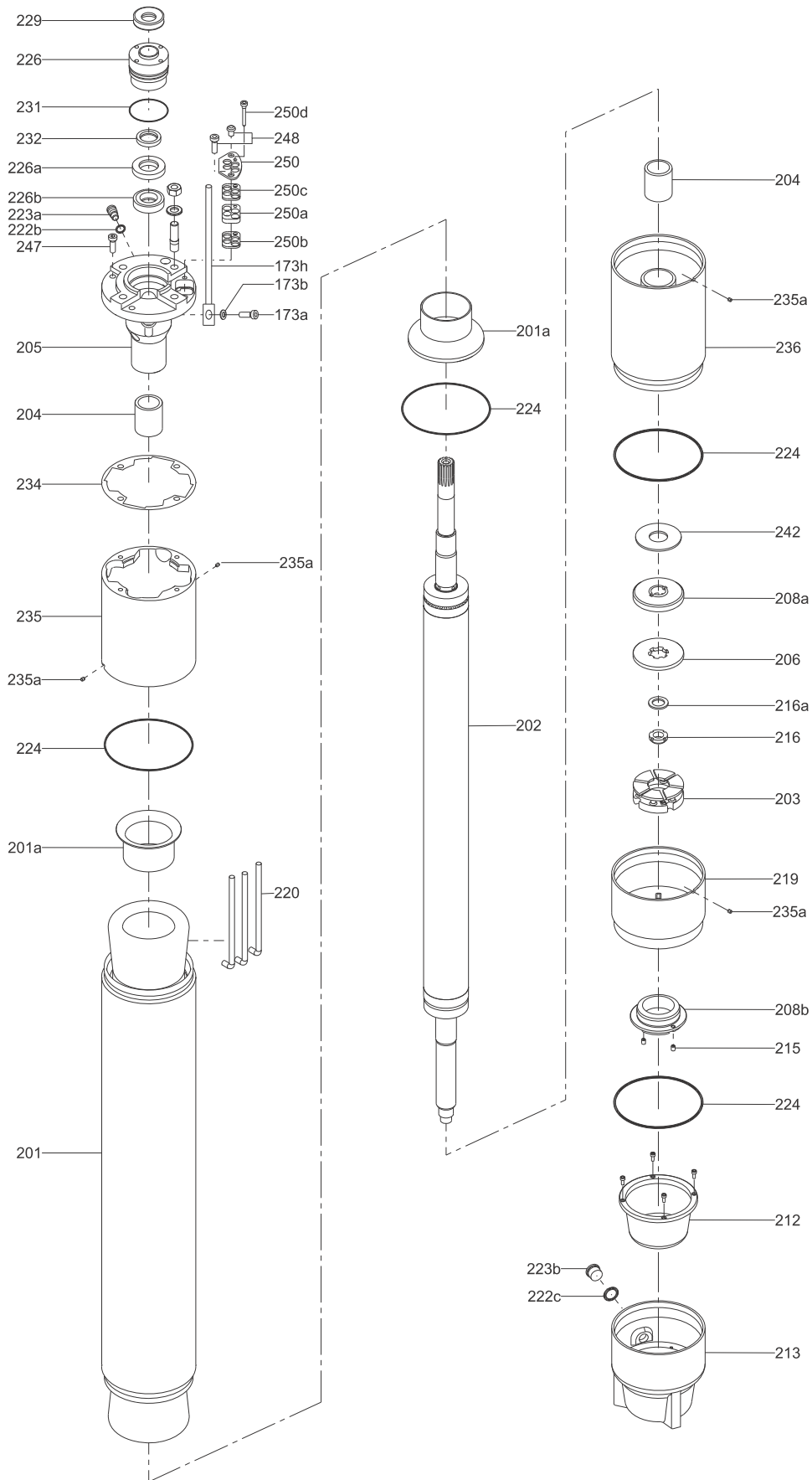
Windings, PE2 + PA

kW	50 Hz					60 Hz			
	220-230 V	400 V	415 V	460 V	500 V	220 V	380 V	460 V	575 V
5.5	96881173	96881131	-	-	-	96881159	96881145	96881131	-
7.5	96881174	96881132	-	96881191	-	96881160	96881146	96881132	-
9.2	96881175	96881133	-	96881192	96881180	96881161	96881147	96881133	-
11	96881176	96881134	-	96881193	96881181	96881162	96881148	96881134	-
13	96881177	96881135	-	96881194	96881182	96881163	96881149	96881135	-
15	96881178	96881136	-	96881195	96881183	96881164	96881150	96881136	-
18.5	96881179	96881137	-	96881196	96881184	96881165	96881151	96881137	-
22	96880748	96880722	-	96880764	96880752	96880740	96880732	96880722	96880752
26	96880749	96880723	-	96880765	96880753	96880741	96880733	96880723	96880753
30	96880750	96880724	96880726	96880766	96880754	96880742	96880734	96880724	96880754
37	96880751	96880725	96880727	96880767	96880755	96880743	96880735	96880725	96880755

Windings, PE2 + PA (Japan)

kW	200-220 V 50/60 Hz SF 1.00		400-440 V 50/60 Hz SF 1.00	
	26	96880756		96880758
30	96880757		96880759	

MMS 6



TMO 4 5193 3904

Cable entry

Pos.	Description Kit No		Standard version	N version	R version
			96880695	96880696	96880697
250	Clamping plate	4 x 1 + Pt100	1	1	1
250b	Grommet disc	4 x (1 x 6/10/16 mm ²)	2	2	2
250a	Cable grommet	4 x (1 x 6 mm ²) + Pt100	1	1	1
	Cable grommet	4 x (1 x 10 mm ²) + Pt100	1	1	1
	Cable grommet	4 x (1 x 16 mm ²) + Pt100	1	1	1
250d	Guide pin for Pt100		1	1	1
248	Screw	M8 x 10	1	1	1
248	Screw	M8 x 25	1	1	1

Cable joint

Pos.	Description Kit No	6/10/16 mm ²
		96880779
-	Cable joint	1

Motor cable

kW	3 x 220-230 V, 60 Hz		3 x 220-230 V, 50 Hz		3 x 380-415 V, 50 Hz 3 x 460 V, 60 Hz		3 x 575 V, 60 Hz 3 x 500 V, 50 Hz 3 x 460 V, 50 Hz		3 x 380 V, 60 Hz		
	DOL	SD	DOL	SD	DOL	SD	DOL	SD	DOL	SD	
	3 x 1	6 x 1	3 x 1	6 x 1	3 x 1	6 x 1	3 x 1	6 x 1	3 x 1	6 x 1	
5.5-15	96880772	-	96880772	-	96880772	96880772	96880772	96880772	-	96880772	-
18.5-22	96880773	-	96880773	-	96880772	96880772	96880772	96880772	-	96880772	-
26	96880774	-	96880773	-	96880772	96880772	96880772	96880772	-	96880773	-
30	96880774	-	96880774	-	96880773	96880772	96880773	96880772	-	96880773	-
37	-	96880773	-	96880773	96880773	96880772	96880773	96880772	-	96880773	-

DOL: 1 x motor cable kit

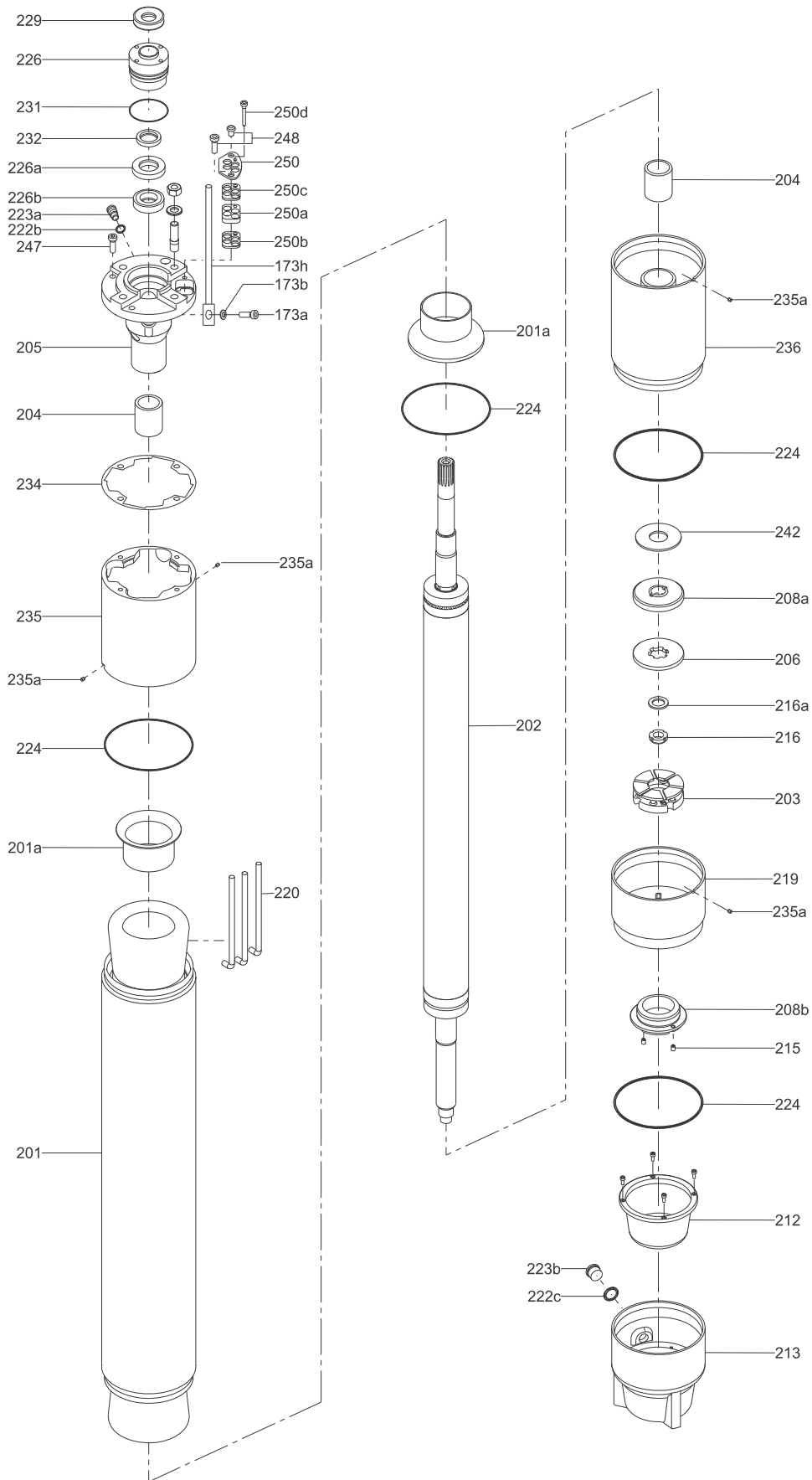
SD: 2 x motor cable kit

Motor cable (Japan)

kW	3 x 200-220 V, 50/60 Hz SF 1.00		3 x 400-440V, 50/60 Hz SF 1.00	
	DOL	SD	DOL	SD
	3 x 1	6 x 1	3 x 1	6 x 1
26	-	96880773	-	96880773
30	-	96880773	-	96880773

SD: 2 x motor cable kit

MMS 6



TMO 4 5193 3904

MMS 6000**50/60 Hz, 3.7-15 kW****Bearing**

Pos.	Kit No	96436077
Description		3.7-15 kW
204	Bearing ring	2
204a	Lower bearing ring	1

Cable joint

Pos.	Description	6/10 mm ²
Kit No		96546811
-	Cable joint	1

DOL = 1 x cable joint kit, SD = 2 x cable joint kit

Cable entry

Pos.	Description	With PT100 hole		Without PT100 hole	
		3x6 mm ²	3x10 mm ²	3x6 mm ²	3x10 mm ²
Kit No		96537585	96537632	96537656	96537662
250	Cable gland flange	1	1	1	1
250a	Grommet	1	1	1	1
250b	Grommet disc	2	2	2	2
250c	Grommet disc	1	1	1	1
-	Screw M8 x 12	2	2	2	2
-	Screw for PT100	1	1	-	-

Lower bearing housing

Pos.	Description	DIN W.-Nr.	DIN W.-Nr.
		0.6025	1.4401
Kit No		96457622	96467280
236	Lower bearing housing	1	1
204a	Bearing ring	2	2
242	Upthrust spacer	1	1
242a	Screw	3	3

Miscellaneous

Pos.	Kit No	96441437	
Description		3.7-15 kW	
207	Diaphragm cover	1	
216	Retaining ring	1	
216a	Disc	28/20 x 0.5	2
		28/20 x 0.3	1
		28/20 x 0.2	1
223a	Air vent screw	1	
234a	Filling screw	1	

Windings, PVC

kW	DOL								SD				
	220-230 V	380-415 V	500 V	220 V	380 V	460 V	575 V	220-230 V	380-415 V	500 V	460 V	575 V	
	50 Hz			60 Hz					50 Hz			60 Hz	
3.7	96279245	96279283	-	96279263	96279308	96279283	-	96279245	-	-	-	-	
5.5	96279246	96279284	-	96279264	96279309	96279284	-	96279246	96279295	-	96279295	-	
7.5	96279247	96279285	96279330	96279265	96279310	96279285	96279330	96279247	96279296	-	96279296	-	
9.2	96279248	96279286	96279331	96279266	96279311	96279286	96279331	96279248	96279297	-	96279297	-	
11	96279249	96279287	96279332	96555758	96279312	96279287	96279332	96279249	96279287	96279340	96279287	96279340	
13	96279250	96279288	96279333	96279268	96279313	96279288	96279333	96279250	96279288	96279341	96279288	96279341	
15	96279251	96279289	96279334	96279269	96279314	96279289	96279334	96279251	96279289	96279342	96279289	96279342	

Windings, PE2 + PA

kW	DOL		SD	
	380-415 V	460 V	380-415 V	460 V
	50 Hz	60 Hz	50 Hz	60 Hz
7.5	96279353	96279353	-	-
9.2	96279354	96279354	-	-
11	96279355	96279355	96279363	96279363
13	96279356	96279356	96279356	96279356
15	96279357	96279357	96279357	96279357

Motor cable

Pos.	Description	6 mm ²	10 mm ²
		Kit No	96546825
220	Motor cable, round	1	1
-	Strip	6	6

DOL = 1 x motor cable kit, SD = 2 x motor cable kit

Upper bearing housing

Pos.	Description	DOL		SD	
		DIN W.	DIN W.	DIN W.	DIN W.
		Nr. 0.6025	Nr. 1.4401	Nr. 0.6025	Nr. 1.4401
Kit No		96506757	96521654	96506758	96521672
205	Upper bearing housing	1	1	1	1
204	Bearing bush	2	2	2	2

DOL = 1 x cable entry kit, SD = 2 x cable entry kit

Seal kit

Pos.	Description	96545321
		3.7-37 kW
212	Diaphragm	1
222b	Sealing washer	2
224	O-ring	2
234	Gasket	1

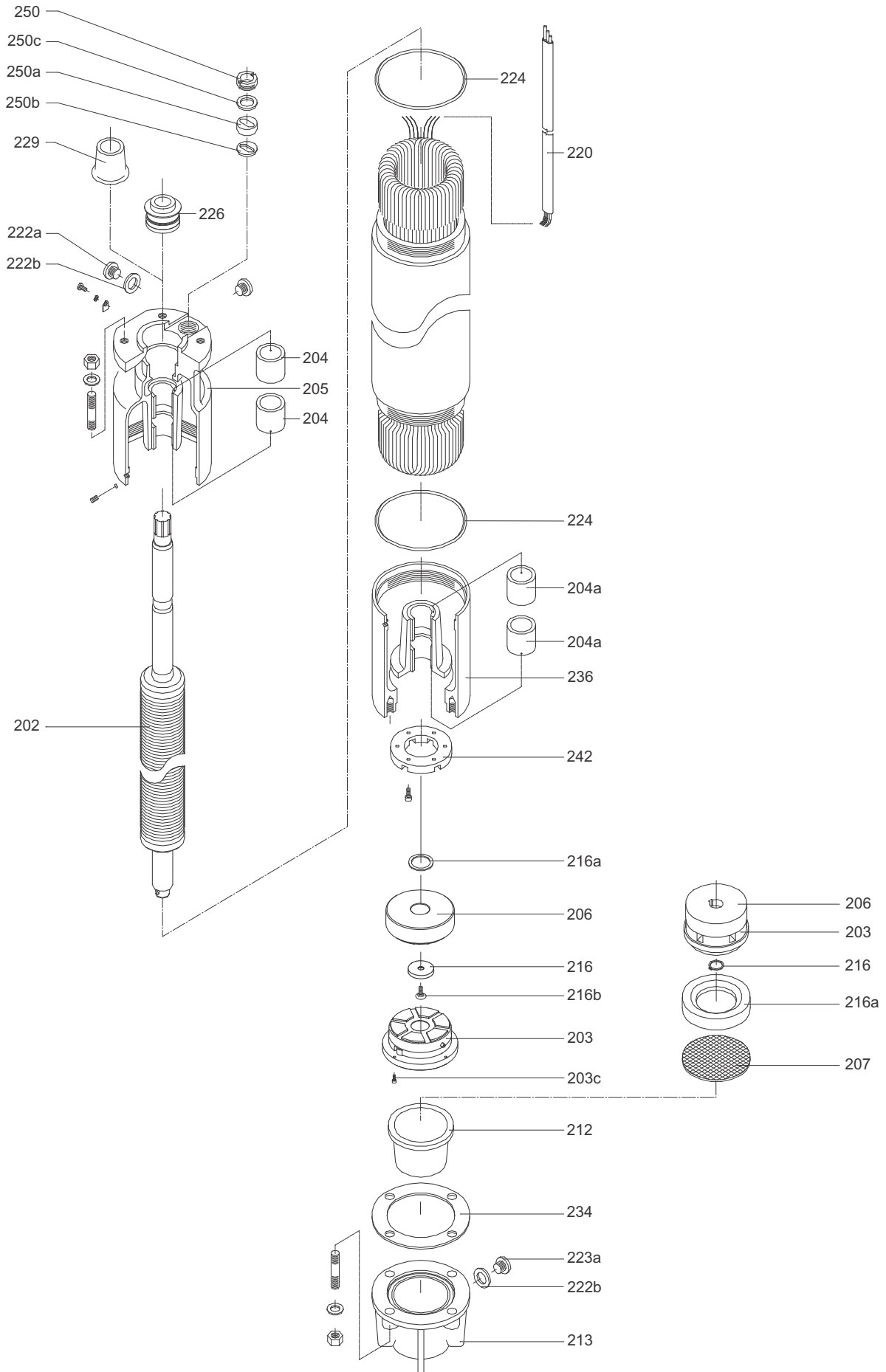
Shaft seal

Pos.	Description	Ceramic / carbon	SiC/SiC
		Kit No	96504966
226	Mechanical seal	1	1
227	Shoulder ring	1	1
228	Locking ring	1	1
228a	Screw	3	3
229	Sand shield	1	1

Thrust bearing

Pos.	Description	96457623
		3.7-15 kW
203	Thrust bearing pad	1 set
206	Rotating thrust bearing	1

MMS 6000



TM02 7254 3403

Bearing

Pos.	Kit No	96436078
	Description	18.5-37 kW
204	Bearing ring	4

Cable entry

Pos.	Description	With PT100 hole		Without PT100 hole	
		3 x 6 mm ²	3 x 10 mm ²	3 x 6 mm ²	3 x 10 mm ²
	Kit No	96537585	96537632	96537656	96537662
250	Cable gland flange	1	1	1	1
250a	Grommet	1	1	1	1
250b	Grommet disc	2	2	2	2
250c	Grommet disc	1	1	1	1
-	Screw M8 x 12	2	2	2	2
-	Screw for PT100	1	1	-	-

DOL = 1 x cable entry kit - SD = 2 x cable entry kit

Cable joint

Pos.	Kit No	96546811
	Description	6/10 mm ²
-	Cable joint	1

DOL = 1 x cable joint kit

SD = 2 x cable joint kit

Thrust bearing

Pos.	Kit No	96525456
	Description	18.5-37 kW
203	Thrust bearing carbon pad	1 set
206	Rotating thrust bearing	1
216c	Retaining ring	1

Lower bearing housing

Pos.	Description	DIN W.-Nr.	DIN W.-Nr.
		0.6025	1.4401
	Kit No	96457624	96467280
236	Lower bearing housing	1	1
204a	Bearing ring	2	2
242	Uphrust spacer	1	1
242a	Screw	3	3

Miscellaneous

Pos.	Kit No	96441438	
	Description	18.5-37 kW	
207	Diaphragm cover	1	
216	Retaining ring	1	
216a	Disc	35/25 x 0.5	2
		35/25 x 0.3	1
		35/25 x 0.2	1
222a	Filling screw	1	
223a	Air vent screw	1	

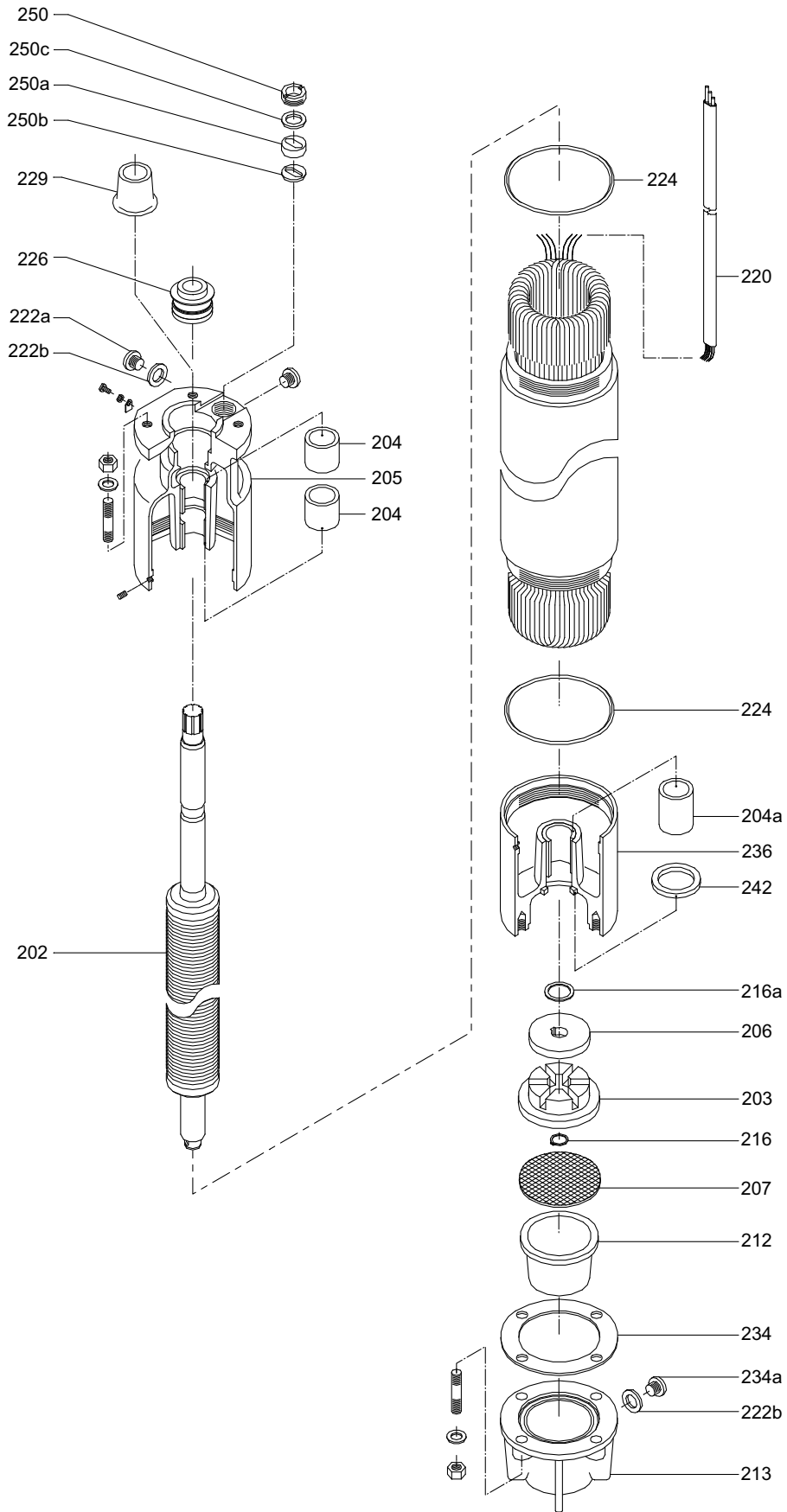
Seal kit

Pos.	Kit No	96545321
	Description	3.7-37 kW
212	Diaphragm	1
222b	Sealing washer	2
224	O-ring	2
234	Gasket	1

Shaft seal

Pos.	Description	Ceramic/ carbon	SiC/SiC
		96504966	96504967
226	Mechanical seal	1	1
227	Shoulder ring	1	1
228	Locking ring	1	1
228a	Screw	3	3
229	Sand shield	1	1

MMS 6000



TM02 7256 3402

Motor cable

Pos.	Description	SD				DOL		SD
		50 Hz	380-415 V, 500 V	220-230 V	380-415 V, 500 V	220-230 V	380 V-415 V, 500 V	220-230 V
	60 Hz	380 V, 460 V		460 V	380 V	220 V	380 V, 460 V	220 V
	kW	18.5-22.0	18.5-30.0	18.5-37	37	18.5-37.0	26-37	37
		6 mm ²				10 mm ²		
	Kit No	96546825				96546827		
220	Motor cable, round	1				1		
-	Strip	6				6		

DOL = 1 x motor cable kit, SD = 2 x motor cable kit

Upper bearing housing

Pos.	Description	DOL		SD	
		DIN W.-Nr. 0.6025	DIN W.-Nr. 1.4401	DIN W.-Nr. 0.6025	DIN W.-Nr. 1.4401
	Kit No	96506757	96521654	96506758	96521672
205	Upper bearing housing	1	1	1	1
204	Bearing bush	2	2	2	2

DOL = 1 x cable joint kit

SD = 2 x cable joint kit

Windings PVC

kW	DOL						
	50 Hz			60 Hz			
	220-230 V	380-415 V	500 V	220 V	380 V	460 V	575 V
18.5	96279252	96279290	96279335	96279270	96279315	96279290	96279335
22	96279253	96279291	96279336	96279271	96279316	96279291	96279336
26	96279254	96279292	96279337	96279272	96279317	96279292	96279337
30	96279255	96279293	96279338	96279273	96279318	96279293	96279338
37	-	96279294	96279339	-	96279319	96279294	96279339

kW	SD						
	50 Hz			60 Hz			
	220-230 V	380-415 V	500 V	220 V	380 V	460 V	575 V
18.5	96279252	96279290	96279335	-	-	96279290	96279335
22	96279253	96279291	96279336	-	-	96279291	96279336
26	96279254	96279292	96279337	-	-	96279292	96279337
30	96279255	96279293	96279338	-	-	96279293	96279338
37	96279439	96279294	96279339	96279274	96279319	96279294	96279339

DOL = 1 x motor cable kit, SD = 2 x motor cable kit

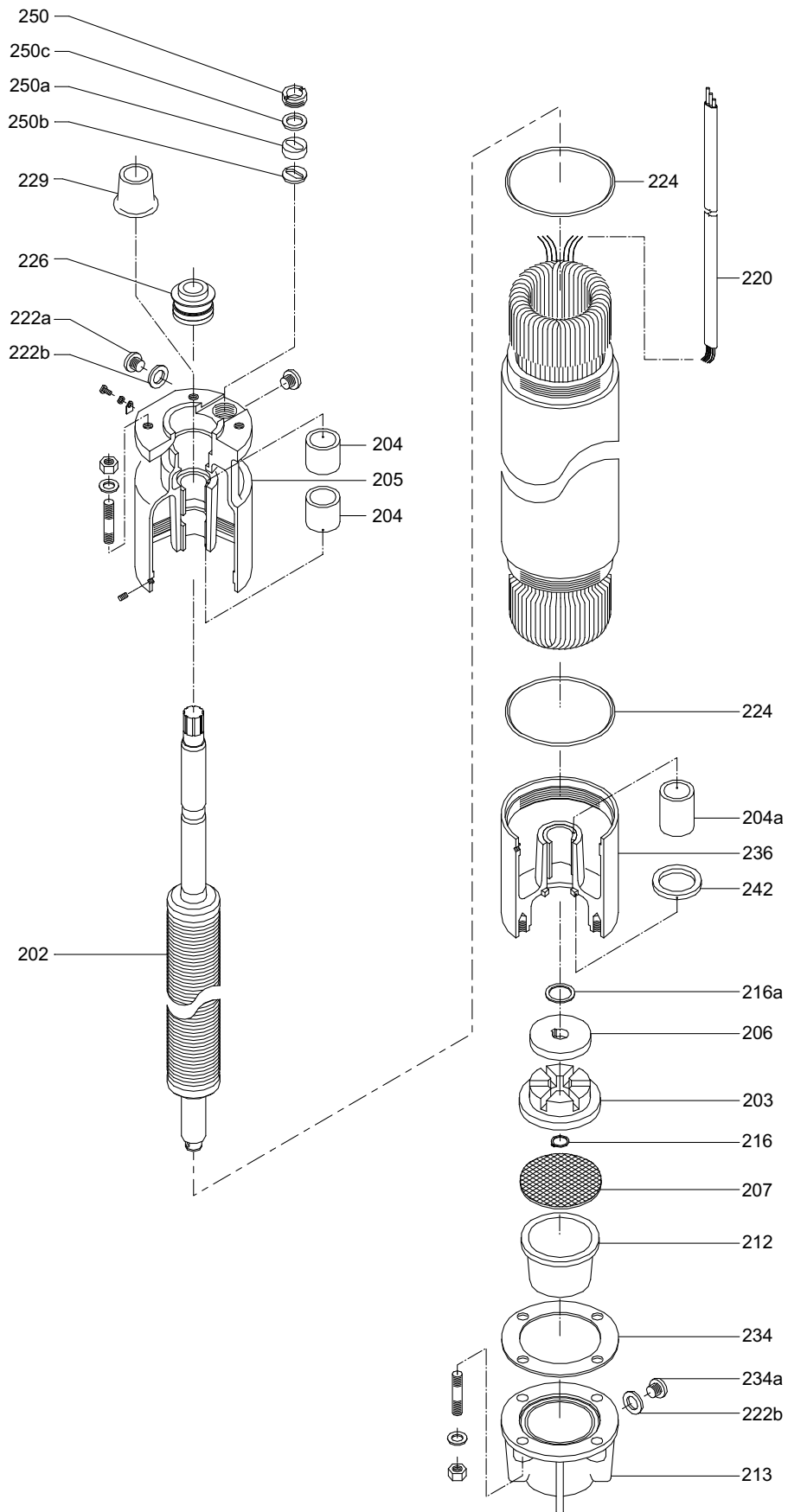
Windings PE2 + PA

kW	DOL			
	50 Hz		60 Hz	
	380-415 V	400-415 V	380 V	460 V
18.5	96279358	-	-	96279358
22	96279359	-	-	96279359
26	96279360	-	-	96279360
30	96279361	-	-	96279361
37	96279362	96279267	96279374	96279362

kW	SD			
	50 Hz		60 Hz	
	380-415 V	400-415 V	380 V	460 V
18.5	96279358	-	-	96279358
22	96279359	-	-	96279359
26	96279360	-	-	96279360
30	96279361	-	-	96279361
37	96279362	96279267	96279374	96279362

DOL = 1 x motor cable kit, SD = 2 x motor cable kit

MMS 6000



TM02 7256 3402

MMS 8000**50/60 Hz, 22-110 kW****Bearing**

Pos.	Kit No	96436079
Description		
204	Bearing ring	4

Cable entry

Pos.	Description	With PT100 hole			Without PT100 hole	
		10 mm ²	16 mm ²	25 mm ²	10 mm ²	16 mm ²
		Kit No	96537665	96537636	96537637	96537692
247	Screw for PT100	1	1	1	-	-
248	Screw M8 x 20	2	2	2	2	2
250	Cable gland flange	1	1	1	-	-
250a	Grommet	1	1	1	-	-
250b	Grommet disc	2	2	2	2	2
250c	Ring	1	1	1	1	1
251	Cable gland flange	-	-	-	1	1
251a	Grommet	-	-	-	1	1

DOL = 1 x cable entry kit

SD = 2 x cable entry kit

Cable joint

Pos.	Kit No	96546813
Description		10/16/25 mm ²
-	Cable joint	4

DOL = 1 x cable joint kit

SD = 2 x cable joint kit

Lower bearing housing

Pos.	Description	DIN W.-Nr.	DIN W.-Nr.
		0.6025	1.4401
Kit No		96458142	96467288
204a	Bearing ring	2	2
236	Lower bearing housing	1	1
242	Upthrust spacer	1	1
242a	Screw	4	4

Miscellaneous

Pos.	Kit No	96436084	
216a	Disc	35/45 x 0.5	-
		35/45 x 0.3	-
		35/45 x 0.2	-
222a	Filling screw	1	
223a	Air vent screw	1	

Upper bearing housing

Pos.	Description	DOL		SD	
		DIN W.-Nr. 0.6025	DIN W.-Nr. 1.4401	DIN W.-Nr. 0.6025	DIN W.-Nr. 1.4401
		Kit No	96520742	96527365	96520691
205	Upper bearing housing	1	1	1	1
204	Bearing bush	2	2	2	2

DOL = 1 x cable entry kit

SD = 2 x cable entry kit

Seal kit

Pos.	Description	Kit No	96545326
212	Diaphragm		1
222b	Sealing washer		2
224	O-ring, 164.7 x 3.5		2
234	Gasket		2

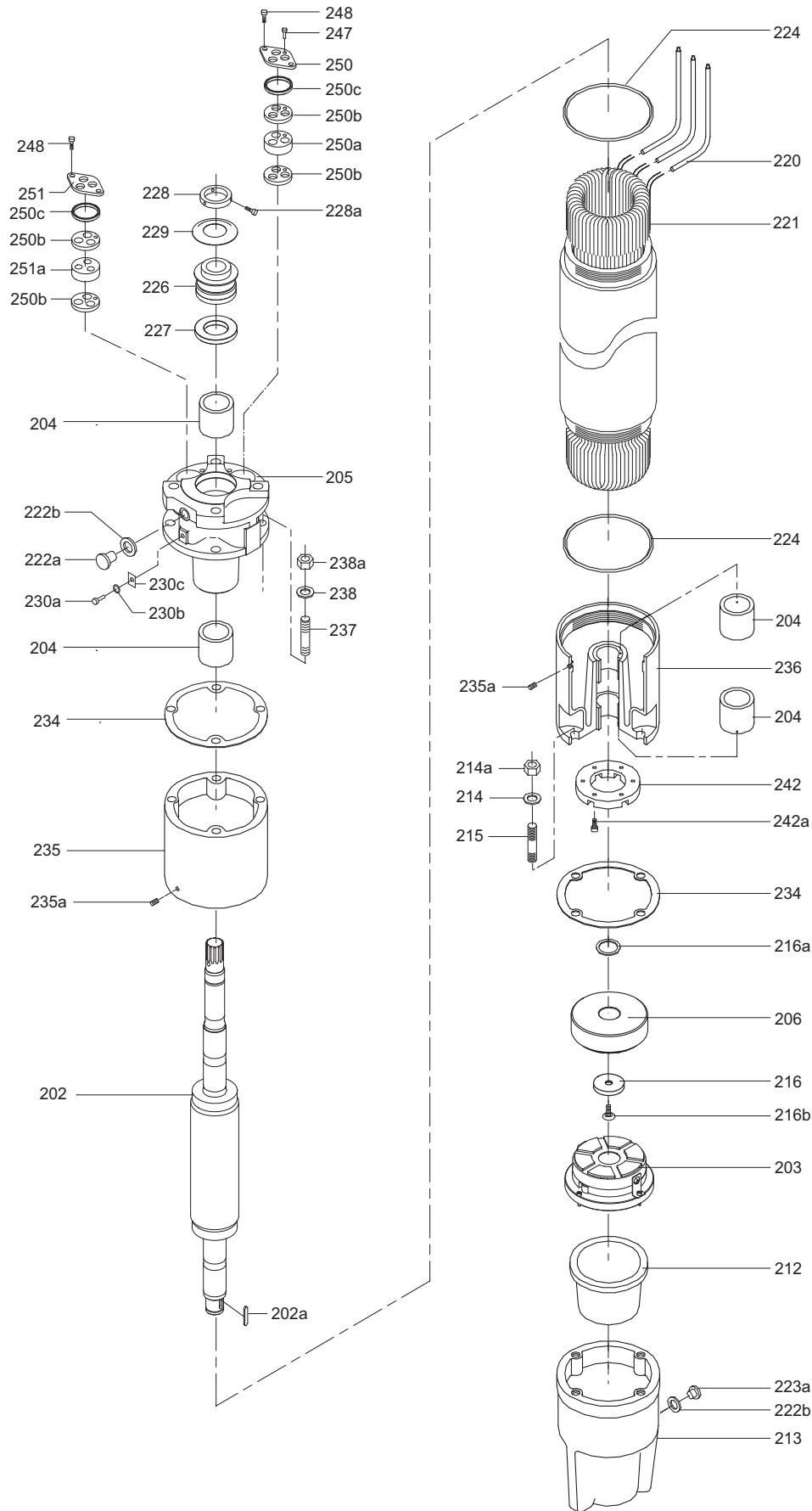
Shaft seal

Pos.	Description	Ceramic/ carbon	SiC/SiC
		Kit No	96524372
226	Mechanical seal	1	1
227	Shoulder ring	1	1
228	Locking ring	1	1
228a	Screw	3	3
229	Sand shield	1	1

Thrust bearing

Pos.	Kit No	96507237
203	Thrust bearing	1
206	Thrust bearing, rotating part	1
216	Washer for M10	1
216b	Screw M10 x 16	1

MMS 8000



TM03 0486 3305

Motor cable

Pos.	SD			DOL			SD				
	50 Hz	220-230 V	380-415 V, 500 V	220-230 V	380-415 V, 500 V		220-230 V	380-415 V, 500 V			
	60 Hz	220 V	460 V, 575 V	380 V	220 V	380 V	460 V, 575 V	220 V	380 V	460 V, 575 V	
	kW	22-30	22-45	22-37	22-37	22-63	22-75	37-75	37-63	45-110	55-110
		10 mm ²			16 mm ²						
	Kit No	96546828			96546829						
220	Motor cable, round	1			1						
-	Strip	6			6						

Pos.	DOL			SD			
	50 Hz	220-230 V		380-415 V, 500 V		460 V, 575 V	
	60 Hz	220 V		380 V			
	kW	45-75	45-63	75-110	92-110		
		25 mm ²					
	Kit No	96546840					
220	Motor cable, round	1					
-	Strip	6					

DOL = 1 x motor cable kit

SD = 2 x motor cable kit

Windings PVC

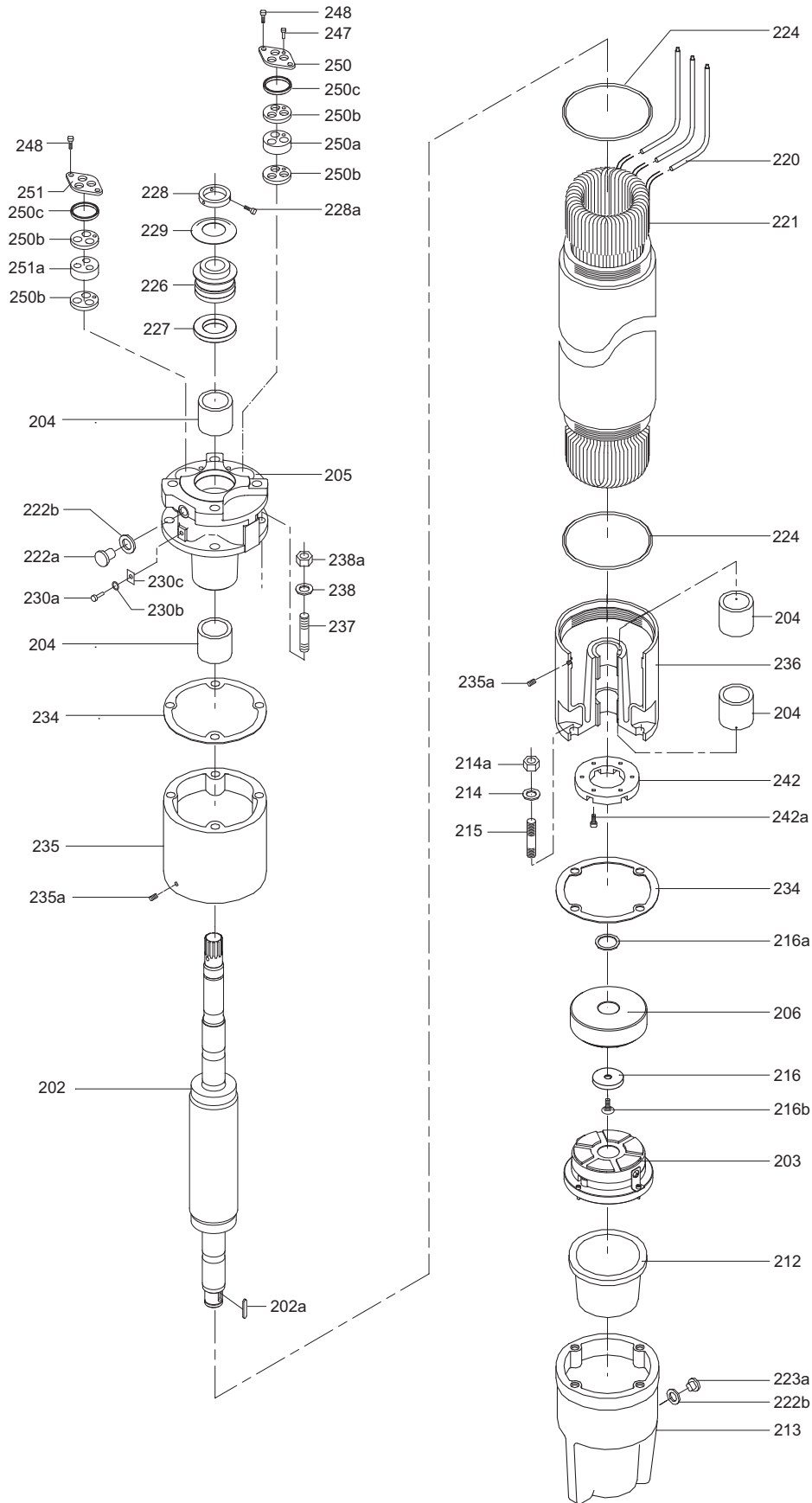
kW	DOL/SD						
	220 V-230 V	380-415 V	500 V	220 V	380 V	460 V	575 V
	50 Hz			60 Hz			
22	96279256	96279298	96279343	96279275	96279320	96279298	96279343
26	96279257	96279299	96279344	96279276	96279321	96279299	96279344
30	96279258	96279300	96279345	96279277	96279322	96279300	96279345
37	96279229	96279301	96279346	96279278	96279323	96279301	96279346
45	96279260	96279302	96279347	96279279	96279324	96279302	96279347
55	96279261	96279303	96279348	96279280	96279325	96279303	96279348
63	96279262	96279304	96279349	96279281	96279326	96279304	96279349
75	-	96279305	96279350	96279282	96279327	96279305	96279350
92	-	96279306	96279351	-	96279328	96279306	96279351
110	-	96279307	96279352	-	96279329	96279307	96279352

Windings PE2 + PA

kW	DOL/SD			
	380-415 V	400-415 V ¹	380 V	460 V
	50 Hz		60 Hz	
22	96279364	96279429	96279375	96279364
26	96279365	96279430	96279376	96279365
30	96279366	96279431	96279377	96279366
37	96279367	96279432	96279378	96279367
45	96279368	96279433	96279379	96279368
55	96279369	96279434	96279380	96279369
63	96279370	96279435	96279381	96279370
75	96279371	96279436	96279382	96279371
92	96279372	96279437	96279383	96279372
110	96279373	96279438	96279384	96279373

1. Only for DOL, Australia.

MMS 8000



TM03 0486 3305

MMS 10000**50/60 Hz, 75-190 kW****Bearing**

Pos	Kit No	96436080
Description		
204	Bearing ring	4

Cable entry

Pos.	Description	3 x 35 mm ²	3 x 50 mm ²
		Kit No	Kit No
250	Cable gland flange	1	1
250a	Grommet	1	1
250b	Grommet disc	2	2
-	Screw M8 x 25	2	2

Cable joint

Pos	Kit No	96546816
Description		35/50 mm ²
-	Cable joint	1

DOL = 1 x cable joint kit

SD = 2 x cable joint kit

Lower bearing housing

Pos.	Description	DIN W.-Nr.	DIN W.-Nr.
		0.6025	1.4401
Kit No		96458179	96279718
204a	Bearing ring	2	2
236	Lower bearing housing	1	1
242	Uphrust spacer	1	1
242a	Screw	4	4

Miscellaneous

Pos.	Kit No	96436085
216	Washer	1
		35/45 x 0.5
216a	Disc	2
		35/45 x 0.3
		35/45 x 0.2
222a	Filling screw	1
223a	Air vent screw	1

Upper bearing housing

Pos.	Description	DOL		SD	
		DIN W.-Nr. 0.6025	DIN W.-Nr. 1.4401	DIN W.-Nr. 0.6025	DIN W.-Nr. 1.4401
		Kit No	Kit No	Kit No	Kit No
205	Upper bearing housing	1	1	1	1
204	Bearing bush	2	2	2	2

DOL = 1 x cable entry kit

SD = 2 x cable entry kit

Motor cable

Pos	Description	35 mm ²	50 mm ²
		SD	DOL
Kit No		96546842	96546843
220	Motor cable, round	1	1
-	Strip	6	6

DOL = 1 x motor cable kit, SD = 2 x motor cable kit

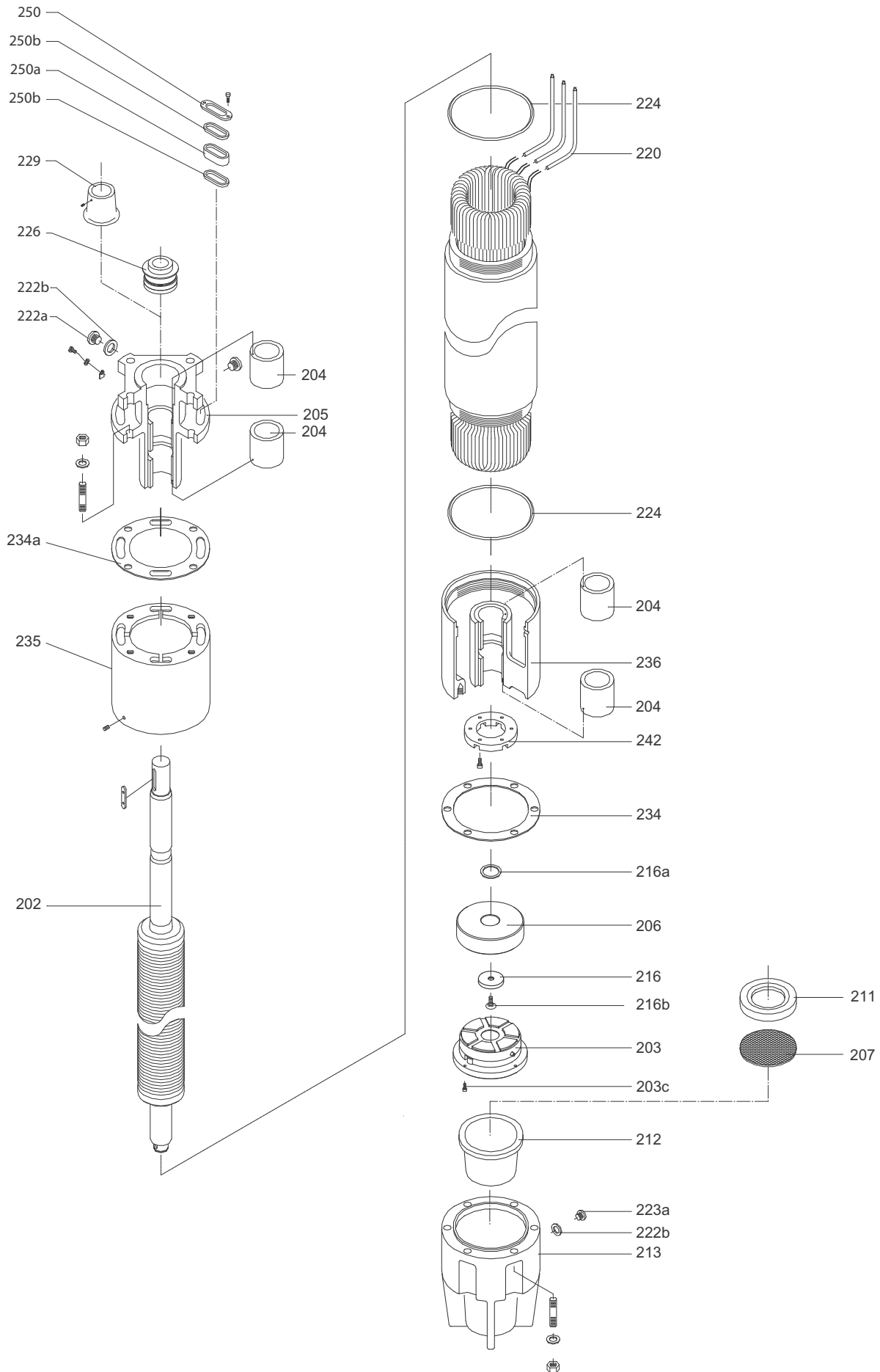
Seal kit

Pos	Kit No	96545328
Description		
212	Diaphragm	1
222b	Sealing washer	2
224	O-ring	2
234	Gasket	2
234a	Gasket	2

Thrust bearing

Pos	Kit No	96507238
Description		
203	Thrust bearing	1
206	Thrust bearing, rotating part	1
216	Washer for M10	1
216b	Screw M10 x 16	1

MMS 10000



TM02 7260 3403

Shaft seal

Pos.	Description	Ceramic/ carbon	SiC/SiC
	Kit No	96524375	96524376
226	Mechanical seal	1	1
227	Shoulder ring	1	1
228	Locking ring	1	1
228a	Screw	3	3

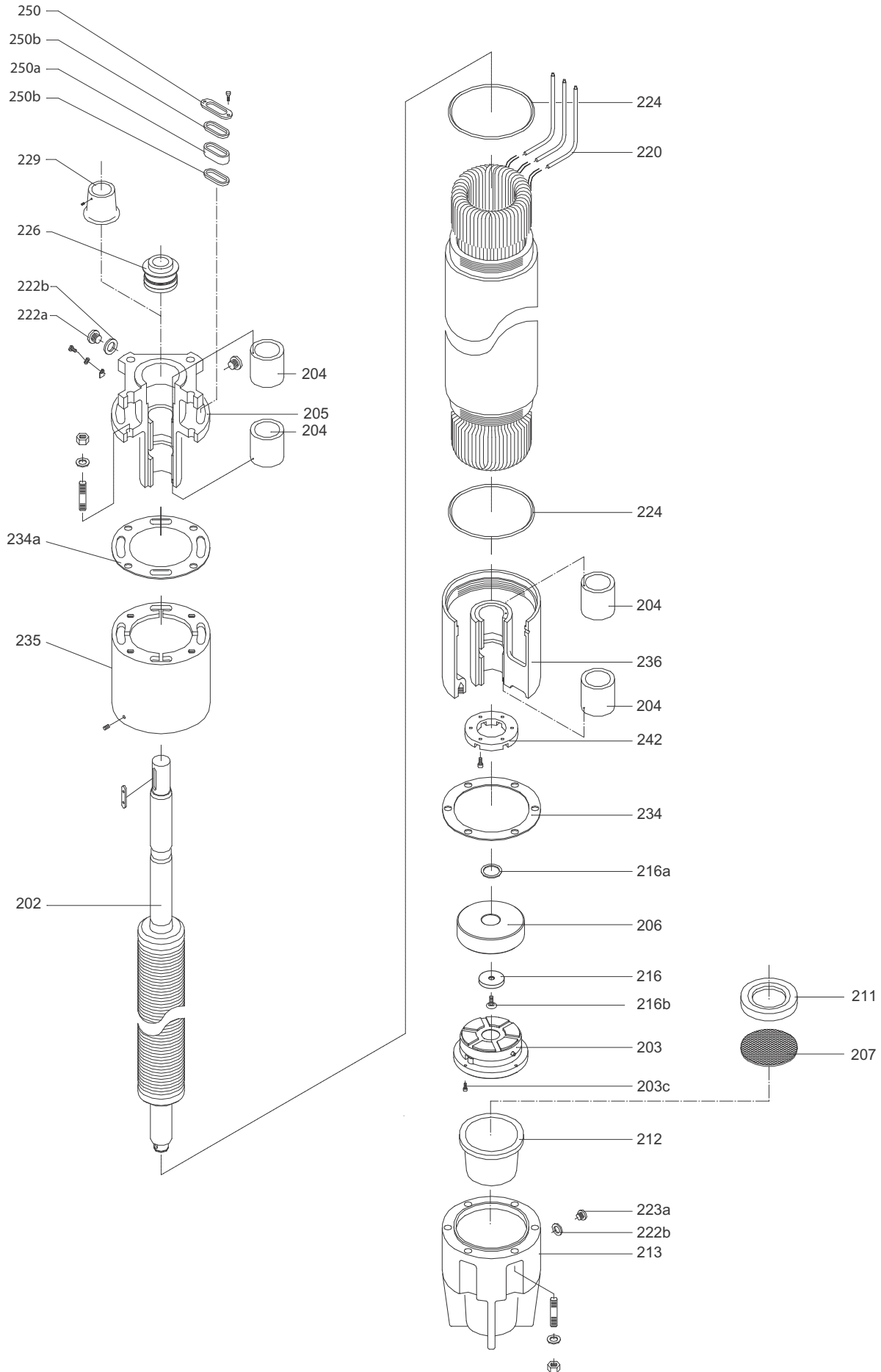
Windings PVC

kW	DOL/SD						
	220-230 V	380-415 V	500 V	220 V	380 V	460 V	575 V
	50 Hz			60 Hz			
92	96279385	96279390	96279418	96279387	96279408	96279390	96279418
110	96279386	96279391	96279419	96279388	96279409	96279391	96279419
132	-	96279392	96279420	96279389	96279410	96279392	96279420
147	-	96279393	96279421	-	96279411	96279393	96279421
170	-	-	96279422	-	-	-	96279422
190	-	-	96279423	-	-	-	96279423

Windings PE2 + PA

kW	DOL/SD		
	380-415 V	380 V	460 V
	50 Hz	60 Hz	
92	96279397	96279412	96279397
110	96279398	96279413	96279398
132	96279399	96279414	96279399
147	96279400	96279415	96279400
170	96279401	96279416	96279401
190	96279402	96279417	96279402

MMS 10000



TM02 7260 3403

MMS 12000**50/60 Hz, 147-250 kW****Bearing**

Pos.	Kit No	96436081
Description		
204	Bearing ring	4

Cable entry

Pos.	Description	3 x 50 mm ² 3 x 70 mm ²	
		Kit No	96545360 96545361
250	Clamping ring	1	1
250a	Grommet	1	1
250b	Grommet disc	2	2

DOL = 1 x cable entry kit

SD = 2 x cable entry kit

Cable joint

Pos.	Kit No	96546818
Description		
-	Cable joint	50/70 mm ² 1

DOL = 1 x cable joint kit

SD = 2 x cable joint kit

Miscellaneous

Pos.	Kit No	96436086
Description		
207	Diaphragm cover	
216	Retaining ring	
216a	Disc	0.5 mm 0.1 mm
222a	Filling screw	
223a	Air vent screw	

Motor cable

Pos.	Kit No	96546843	96546844
		Description	50 mm ² 70 mm ²
220	Motor cable, round	1	1
-	Strip	6	6

Upper bearing housing

Pos.	Description	DOL		SD	
		DIN W Nr. 0.6025	DIN W. Nr. 1.4401	DIN W. Nr. 0.6025	DIN W. Nr. 1.4401
		Kit No	96549527	96279715	96549585
205	Upper bearing housing	1	1	1	1
204	Bearing bush	2	2	2	2

DOL = 1 x motor cable kit

SD = 2 x motor cable kit

Windings (pos. 221)

kW	PVC				PE2 + PA	
	DOL/SD					
	380-415 V		500 V		460 V	
	50 Hz	60 Hz	50 Hz	60 Hz	50 Hz	60 Hz
147	96279394	96279424	96279394	96279424	96279403	96279403
170	96279395	96279425	96279395	96279425	96279404	96279404
190	96279396	96279426	96279396	96279426	96279405	96279405
220	-	96279427	-	96279427	96279406	96279406
250	-	96279428	-	96279428	96279407	96279407

Lower bearing housing

Pos	Description	DIN W.-Nr.	DIN W.-Nr.
		0.6025	1.4401
Kit No		96464745	96279719
204a	Bearing ring	2	2
236	Lower bearing housing	1	1
242	Upthrust spacer	1	1
242a	Screw	4	4

Seal kit

Pos.	Kit No	96545329
Description		
212	Diaphragm	1
222b	Sealing washer	2
234	Gasket	3

Shaft seal

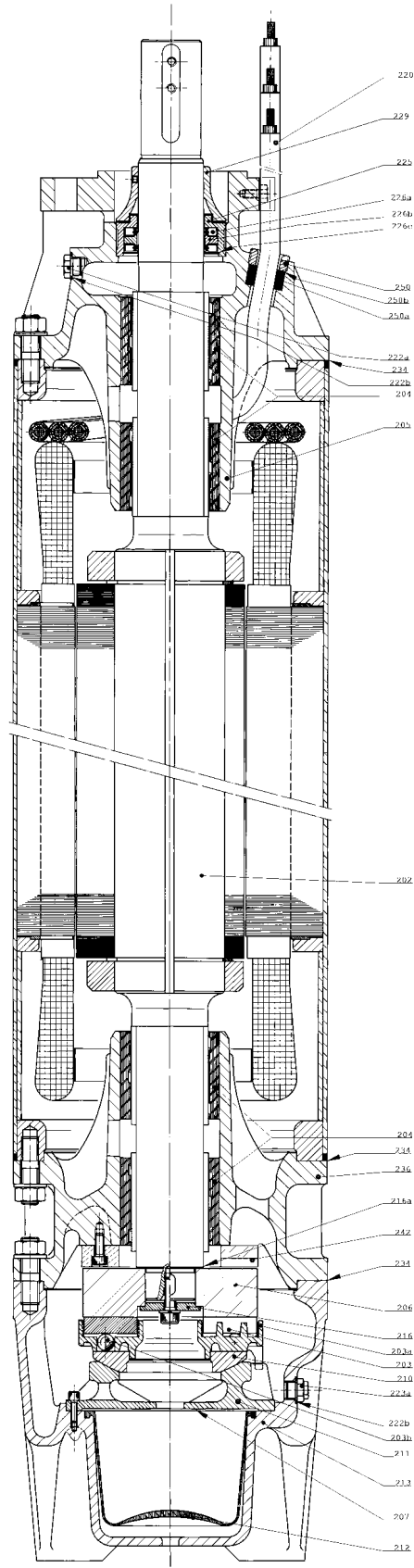
Pos.	Description	Ceramic/c	SiC/SiC
		arbon	96524378 96524379
226	Mechanical seal	1	1
227	Shoulder ring	1	1
228	Locking ring	1	1
228a	Screw	3	3
229	Sand shield	1	1

Thrust bearing

Pos.	Kit No	96436076
Description		
203	Thrust bearing pad	1 set
203a	Carrier for thrust bearing pad-set	1
203b	Ball	8
206	Rotating thrust bearing	1
210	Floating thrust bearing disc	1

MMS 12000

MMS 12000 MMS



TM01 8448 2200